



The **Big** Quiz



20.1.17

Solve the riddle

1. A seven letter word containing thousands of letters.
 2. David's father has three sons : Snap, Crackle and _____ ?
 3. Brothers and sisters I have none but this man's father is my father's son. Who is the man?
 4. The more you take, the more you leave behind. What am I?
 5. What has a head, a tail, is brown but has no legs?
 6. What has many keys but can't open a single door?
 7. Tall I am young, short I am old,. What am I?
 8. Before Mount Everest was discovered what was the tallest mountain on Earth?
 9. What belongs to you but others use it more?
 10. What creature walks on four legs, then on two and finally on three?
-



Name the phrase

1

STA4NCE

2

TICKLED

3

SHOW

4

MOONCEON


5

talk



Name the phrase

6


CUT 

CUT CUT CUT CUT
CUT CUT CUT CUT

7

1 ■ S

8

FEET 



T33Ɔ 


T33Ɔ 

9

FUNNY FUNNY
WORDS WORDS
WORDS WORDS

10

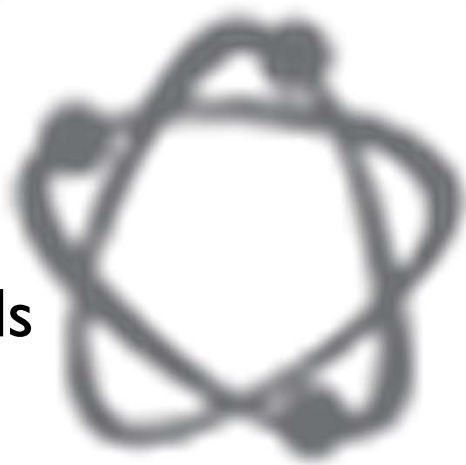
 **STICK** 





Name the type of puzzle

1. Pizza Jew Slug
2. Buck Rubies
3. Buzz El Pox
4. Ropiest Agile
5. El Sizzling Spud
6. Fifteenth Proceeds
7. A Nags Arm
8. Cross Puzzlers Dow
9. Spheric
10. Muzzles Tape





The **Big** Quiz



Please put completed quizzes in the yellow folder in the school office by break.

20.1.17